



Potentiostat Fundamentals

Dr. Christopher Beasley



Outline

- What is a Potentiostat?
- What is a Galvanostat?
- What kind of trouble will you encounter?
- What additional resources are available for you?

What is a Potentiostat?

- A potentiostat is an instrument that measures and controls the potential difference between a Working Electrode and a Reference Electrode.
- Measures the current flow between the Working and Counter Electrodes.



What is Potential?

Voltage or Potential (V, E, U):

- The Potential is the driving force for the electrochemical reaction and is related to the thermodynamics of the system:

$$E_{rev} = -\Delta G / nF$$

(negative ΔG is spontaneous)

- Unit: **Volt**
- Potential is always measured versus a Reference Electrode.
- An applied potential positive of E_{oc} (open-circuit) is oxidizing
- An applied potential negative of E_{oc} is reducing
- 0 Volts is not nothing! 0 Volts simply means that the voltage of the working electrode is at the same potential as the reference electrode.

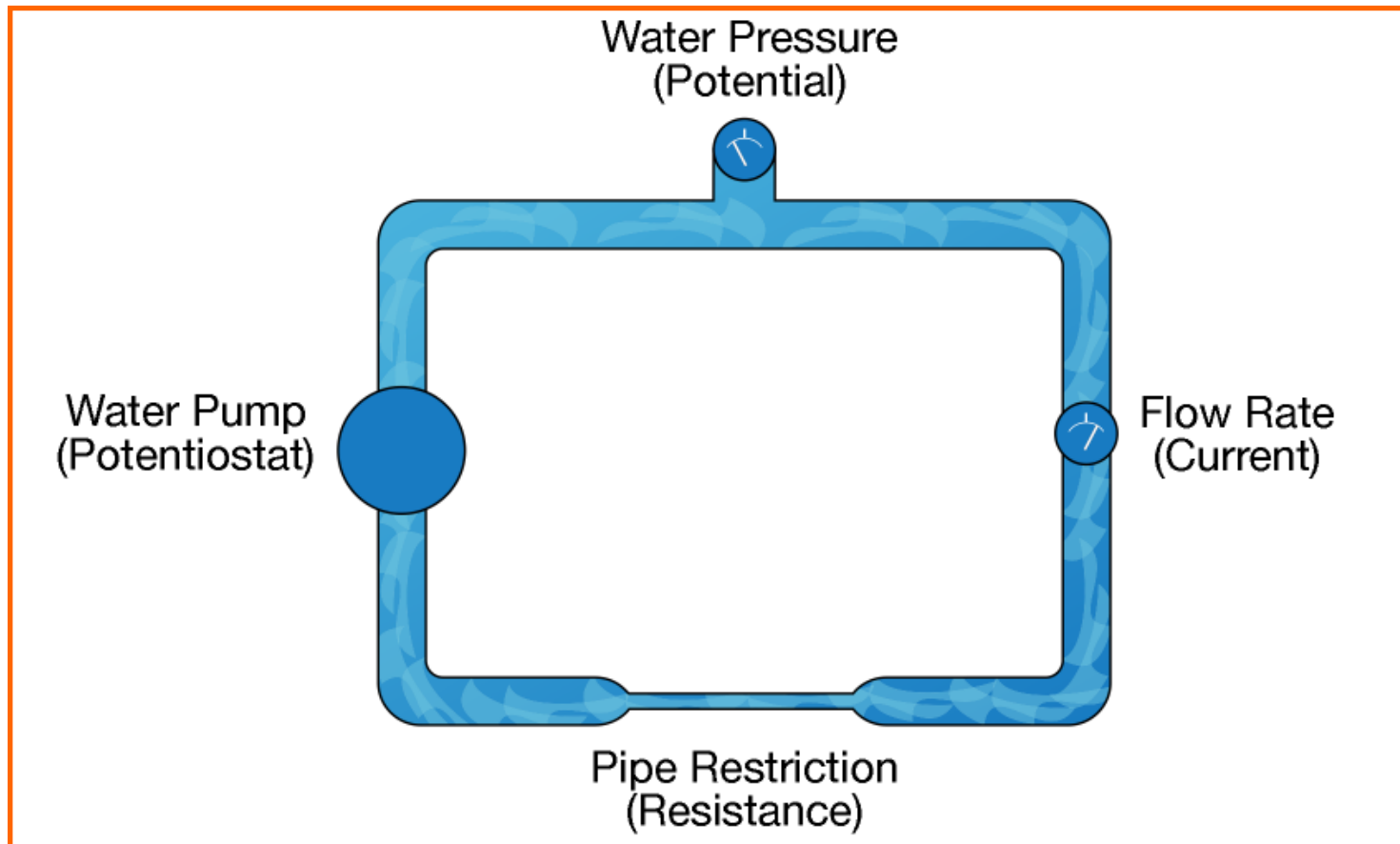
There is no correlation between the thermodynamics of the chemical system and the kinetics (rate) of the reaction.

What is Current?

Current (i):

- Current is the flow of electrons.
- Electron flow is the result of an electrochemical reaction.
- Unit: **Ampere**
- Zero current is nothing, i.e., if the current is zero, there is no net flow of electrons within the system. It is possible that anodic and cathodic reactions are occurring at the same rate, producing no net current.
- Anodic (oxidation) and cathodic (reduction) currents have different polarity (signs).
- Current may be expressed as current or current density.

Potentiostat, Potential, and Current Illustrated as Water Flow



Electrodes

Typical 3-Electrode Setup:

1) Working Electrode

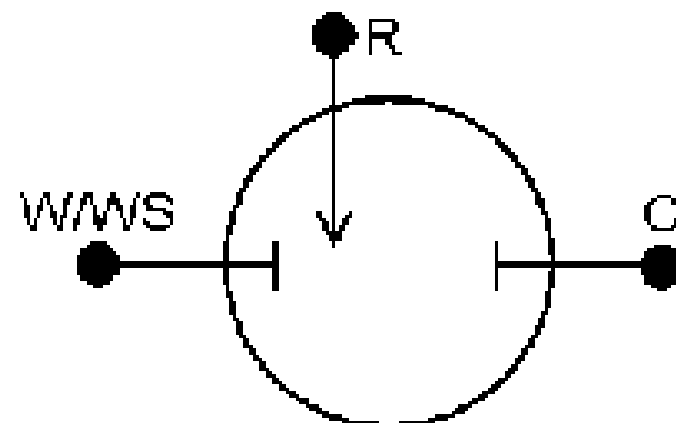
A sample of the corroding metal being tested.

2) Reference Electrode

An electrode with a constant electrochemical potential.

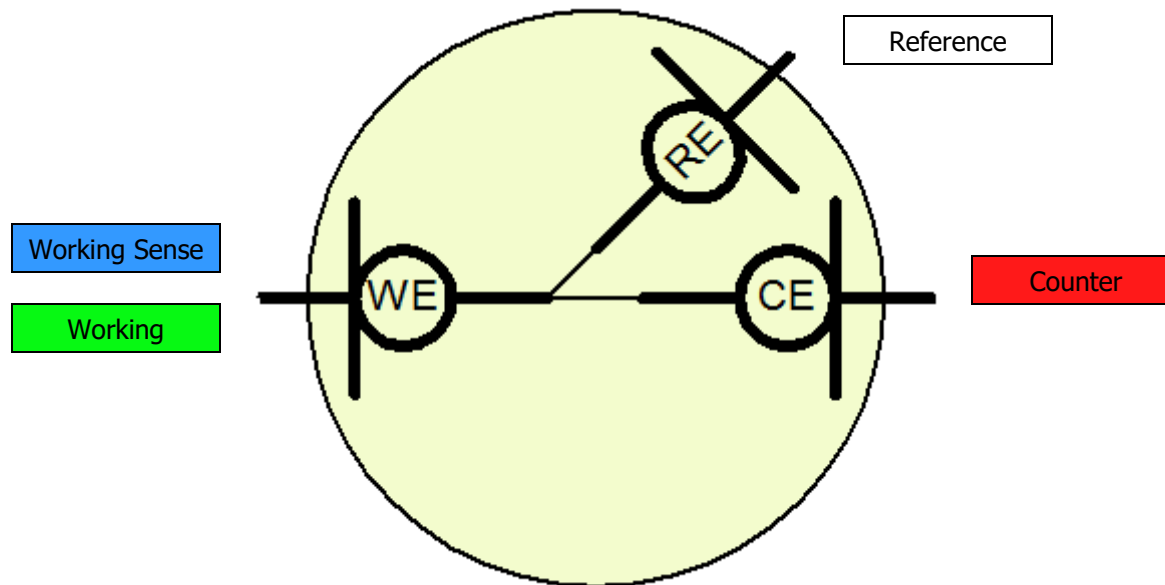
3) Counter Electrode

A current-carrying electrode that completes the cell circuit.



Why Three Electrodes?

- In order to isolate the study to the working electrode.



Pay Special Attention to the Reference Electrode!

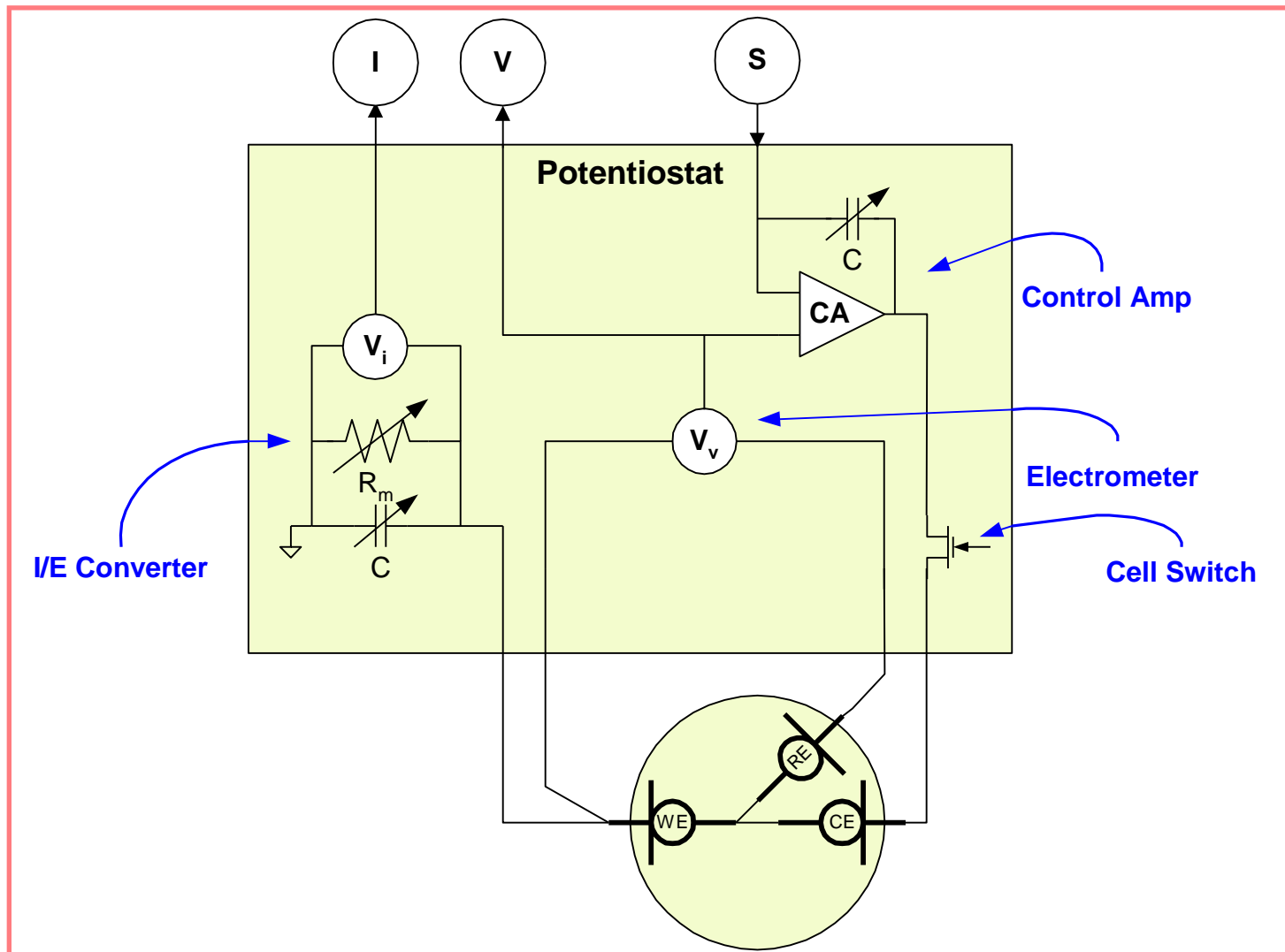
- A Potentiostat needs a low impedance Reference Electrode!
 - Use large diameter reference electrodes
 - Replace isolation frits when needed
 - Avoid narrow Luggin Capillaries
 - Typical values would be less than a few thousand Ohms

- If there's a problem with the *cell*, it's almost always the Reference Electrode. This is observed through oscillations or instabilities.

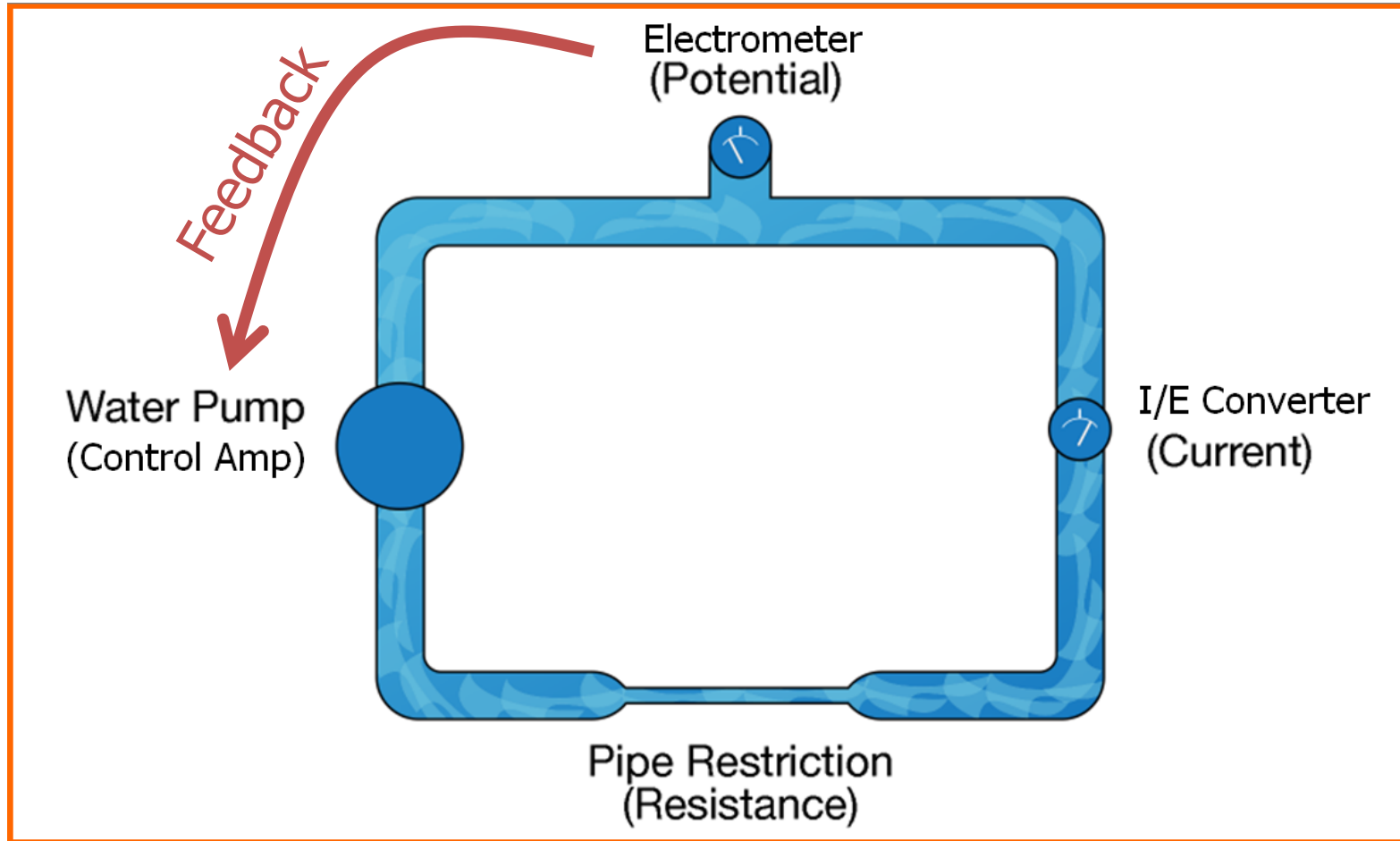
- Easiest way to check is by switching to 2-electrode mode. Remove the RE from the system and connect the reference lead to the counter electrode.

Let's go inside a potentiostat

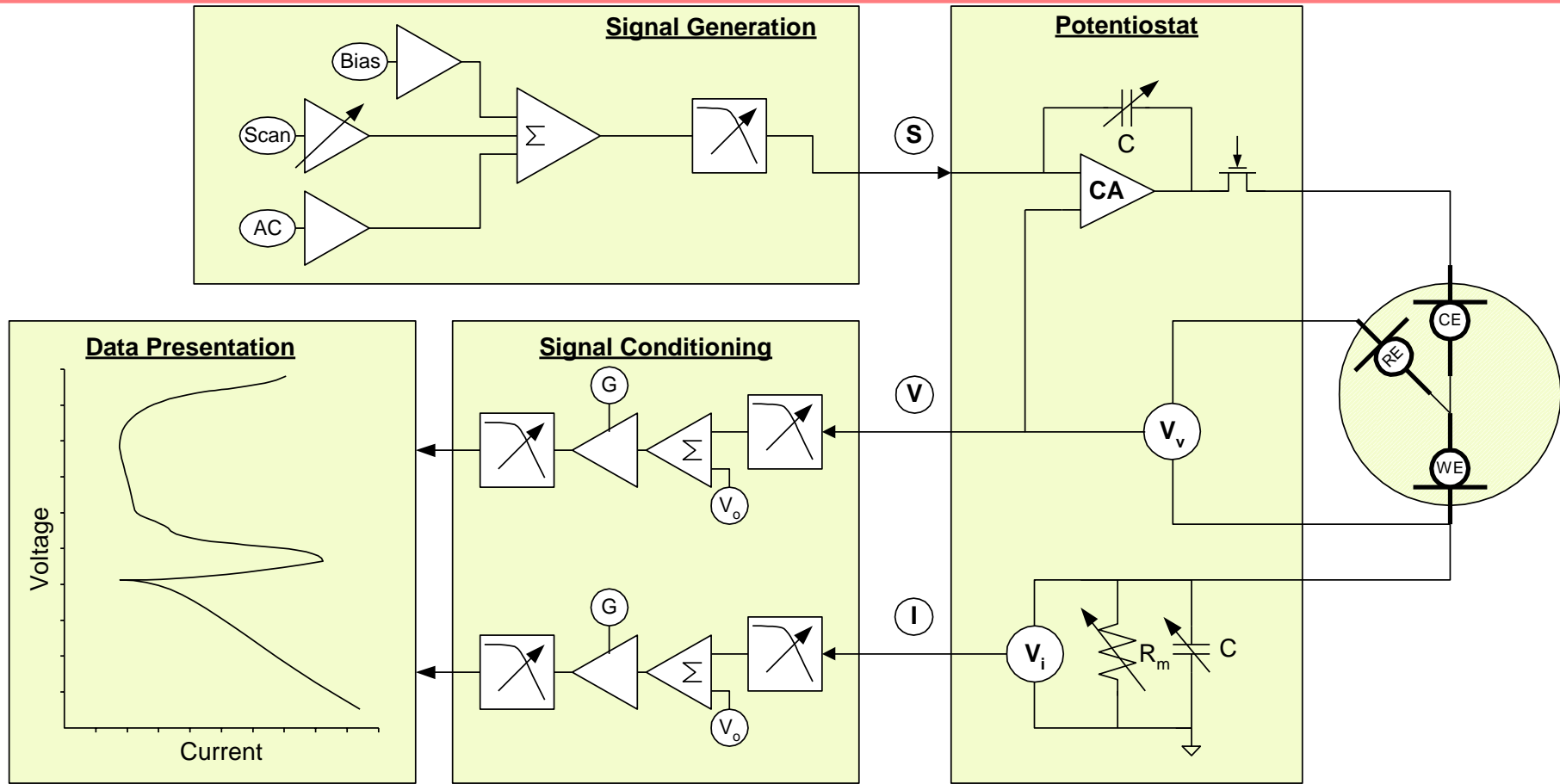
The Analog Potentiostat (Control Section)



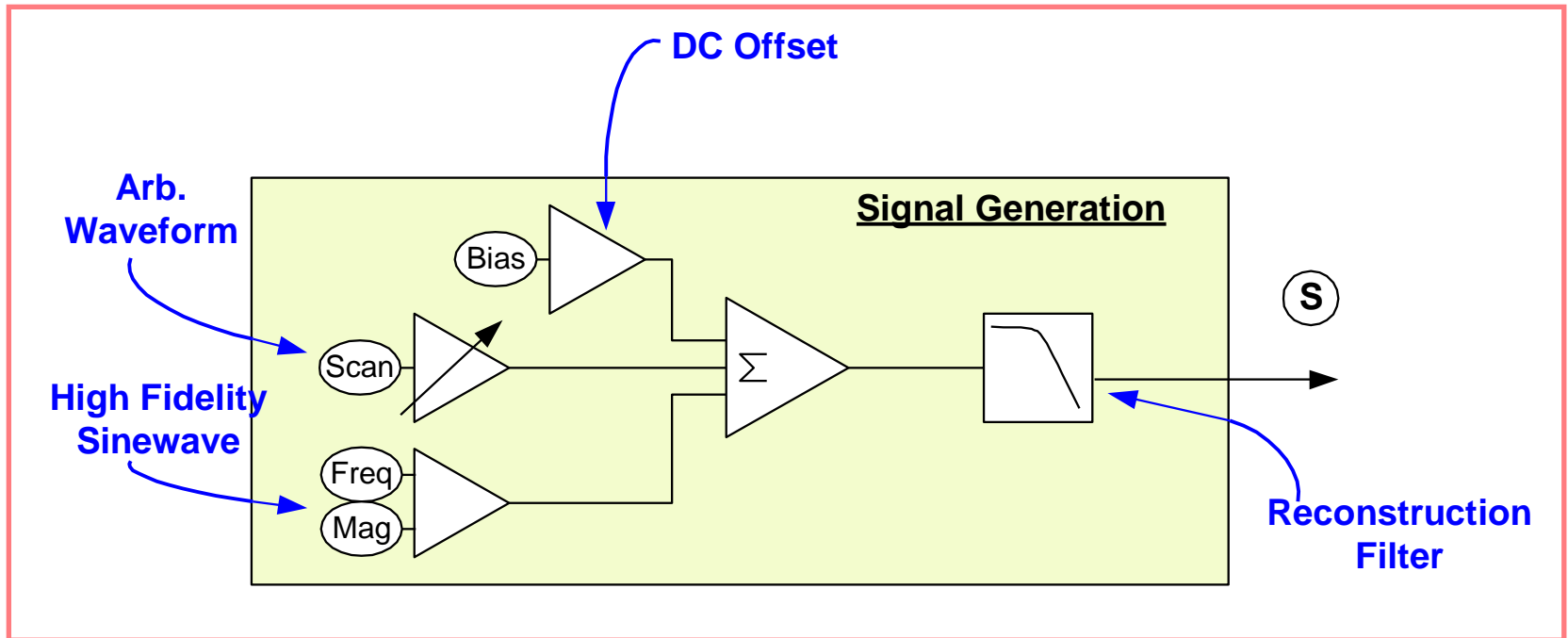
Water Circuit with Feedback



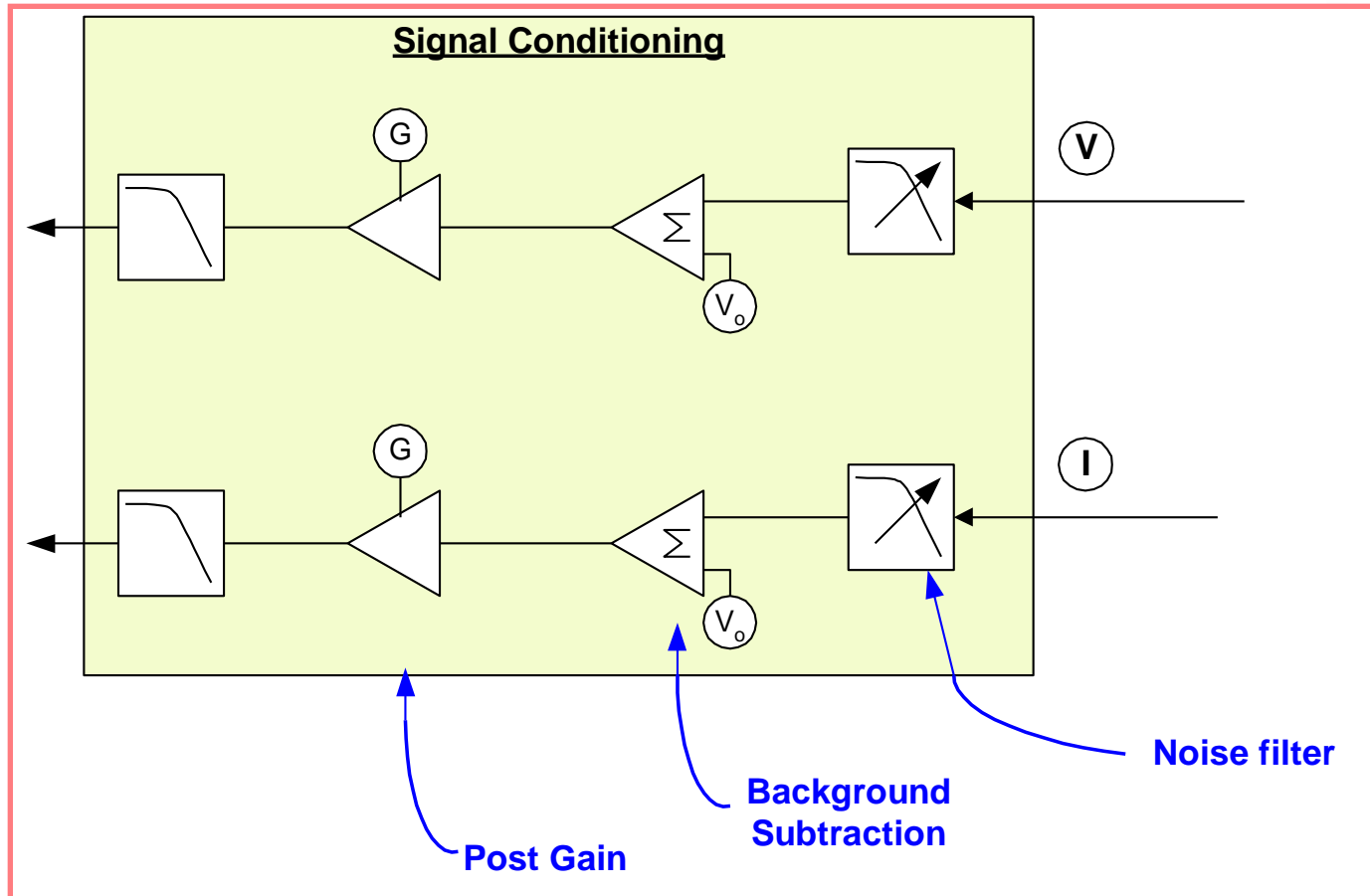
Need to have signal input and measurement output



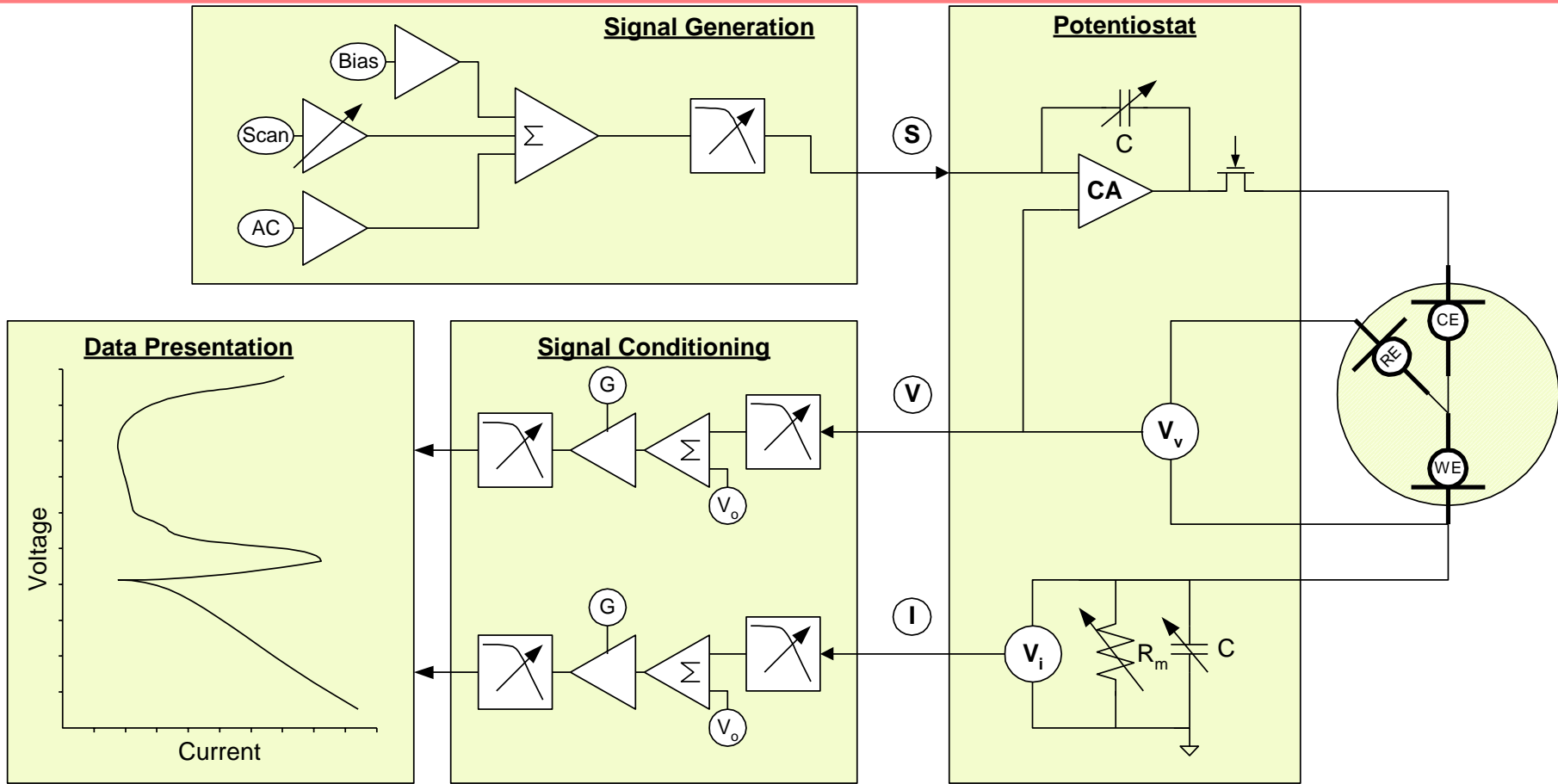
Signal Generation



Signal Conditioning

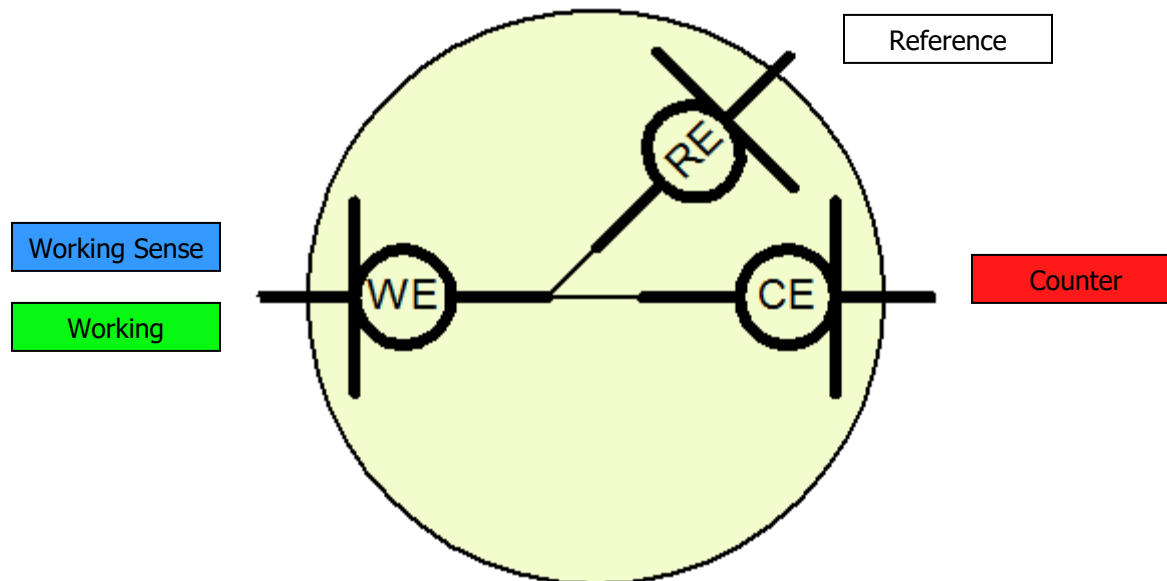


Putting It Back Together

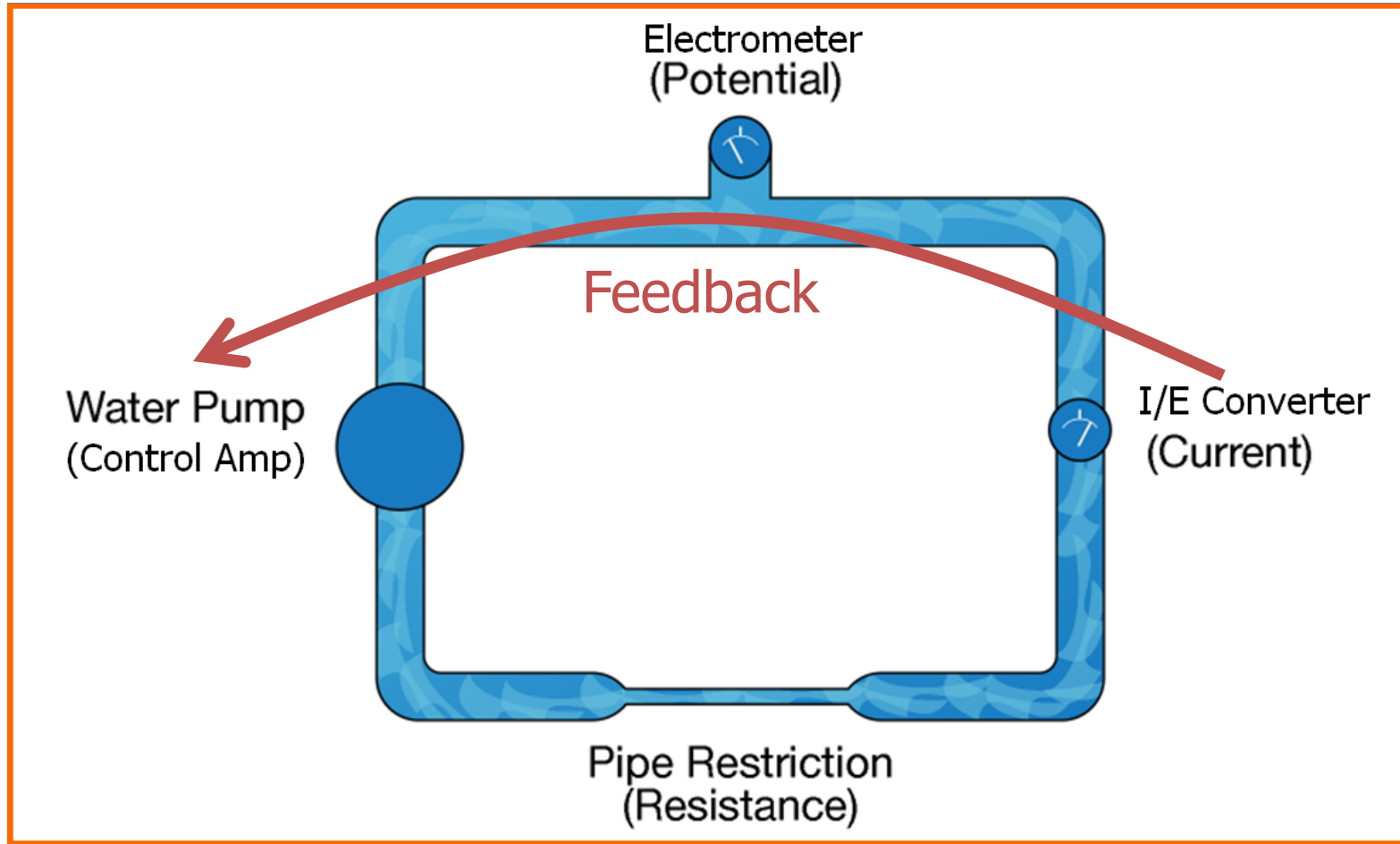


Galvanostat

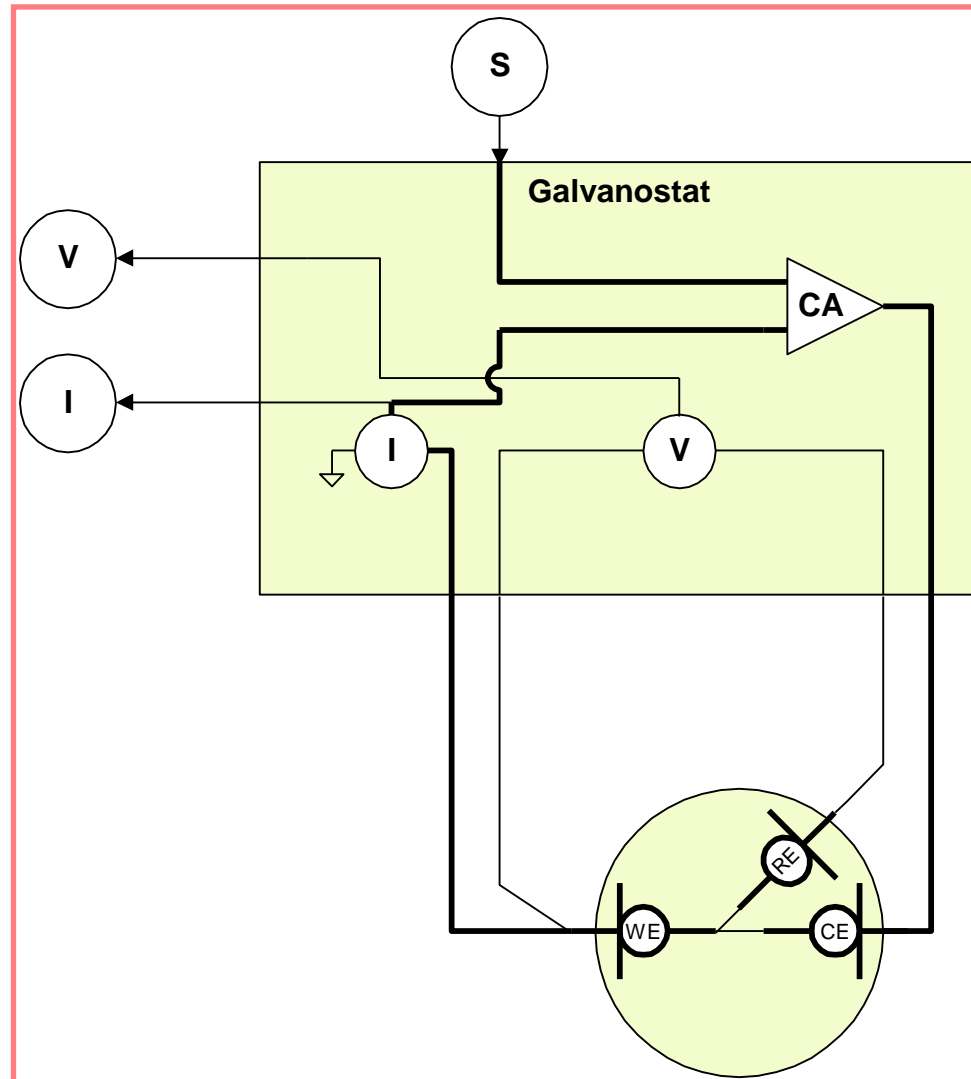
- A galvanostat applies and measures a current between the counter and working while measuring the potential between the reference and working.



Going back to the Analogy



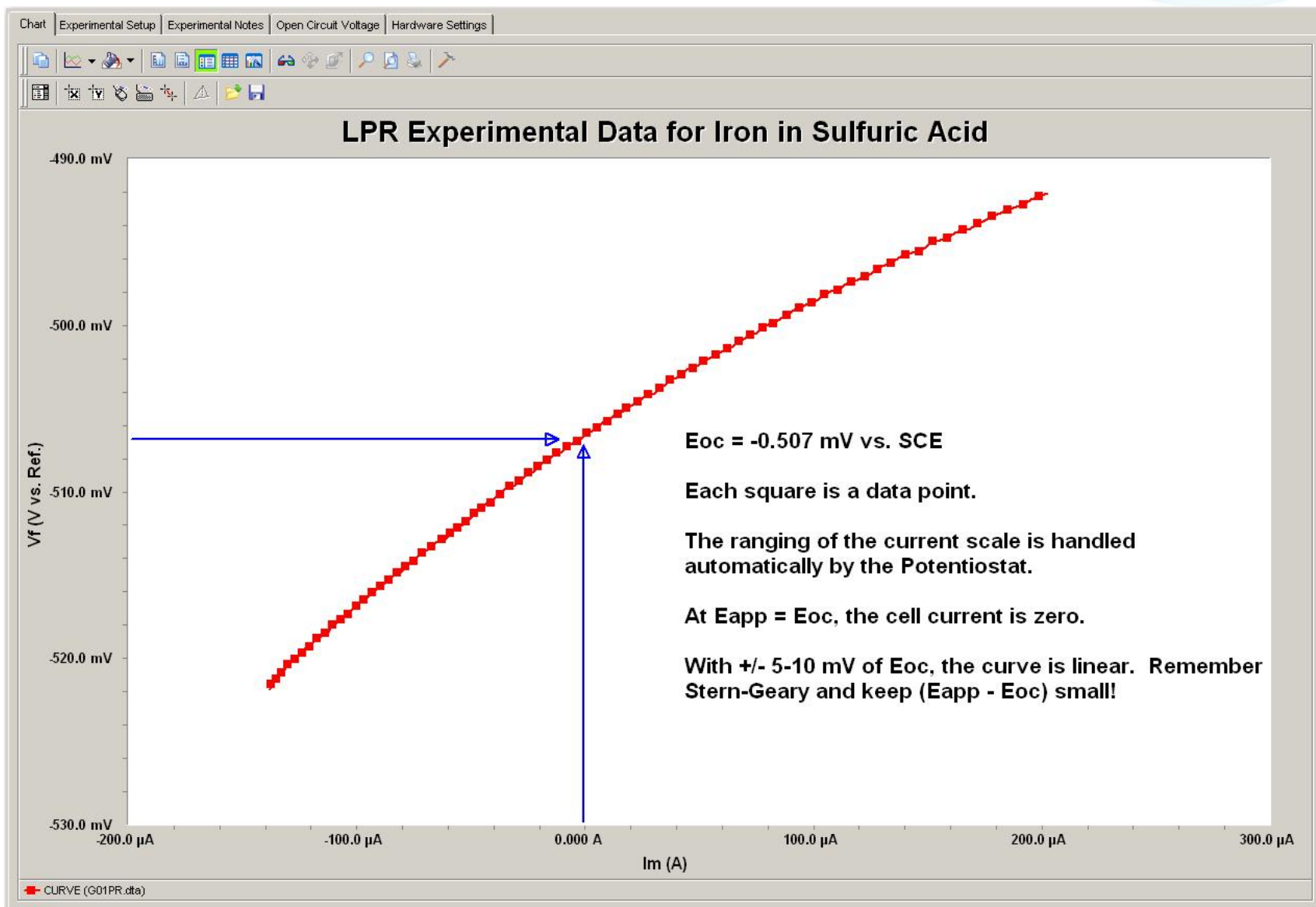
Galvanostat Schematic

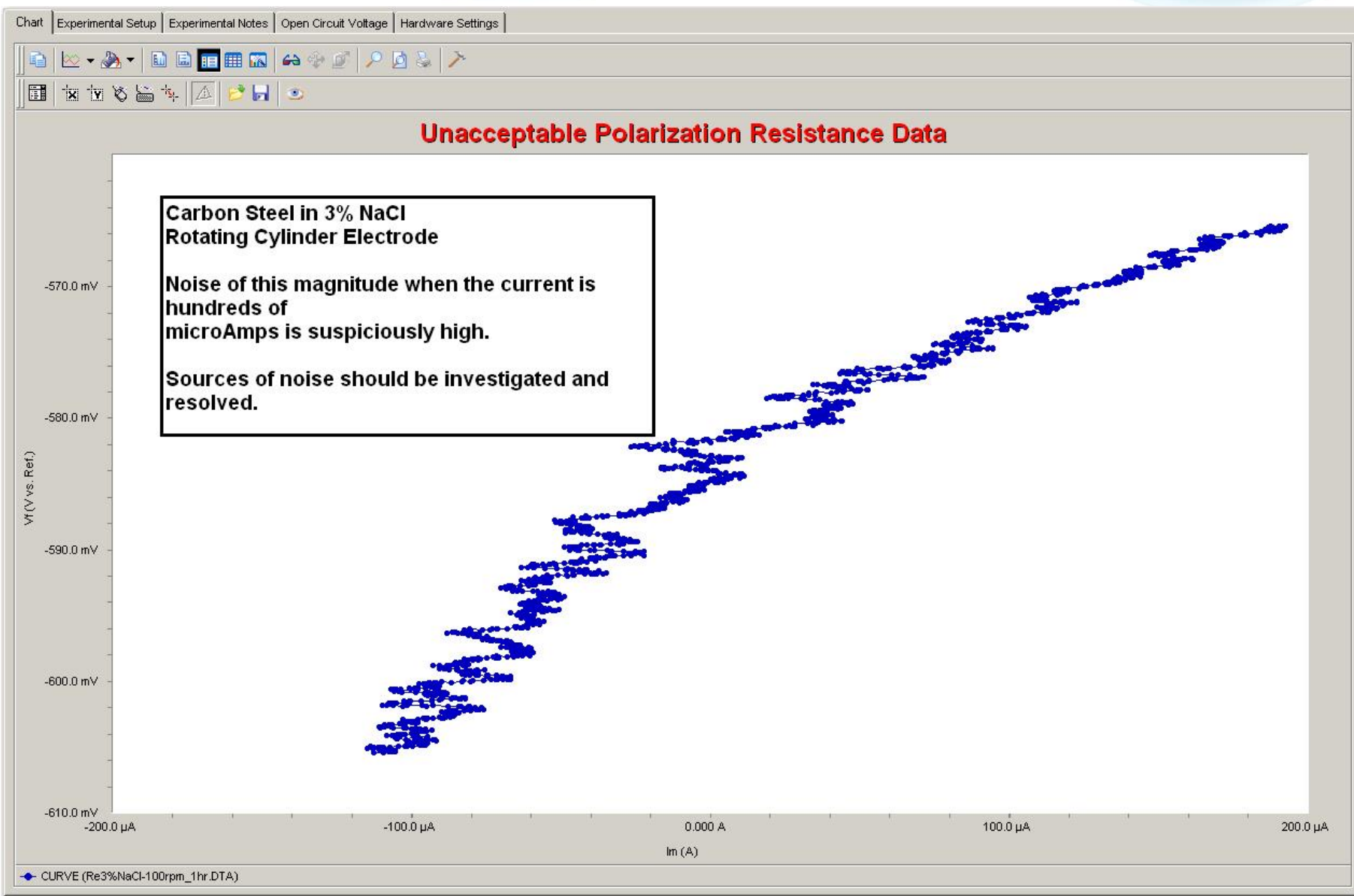


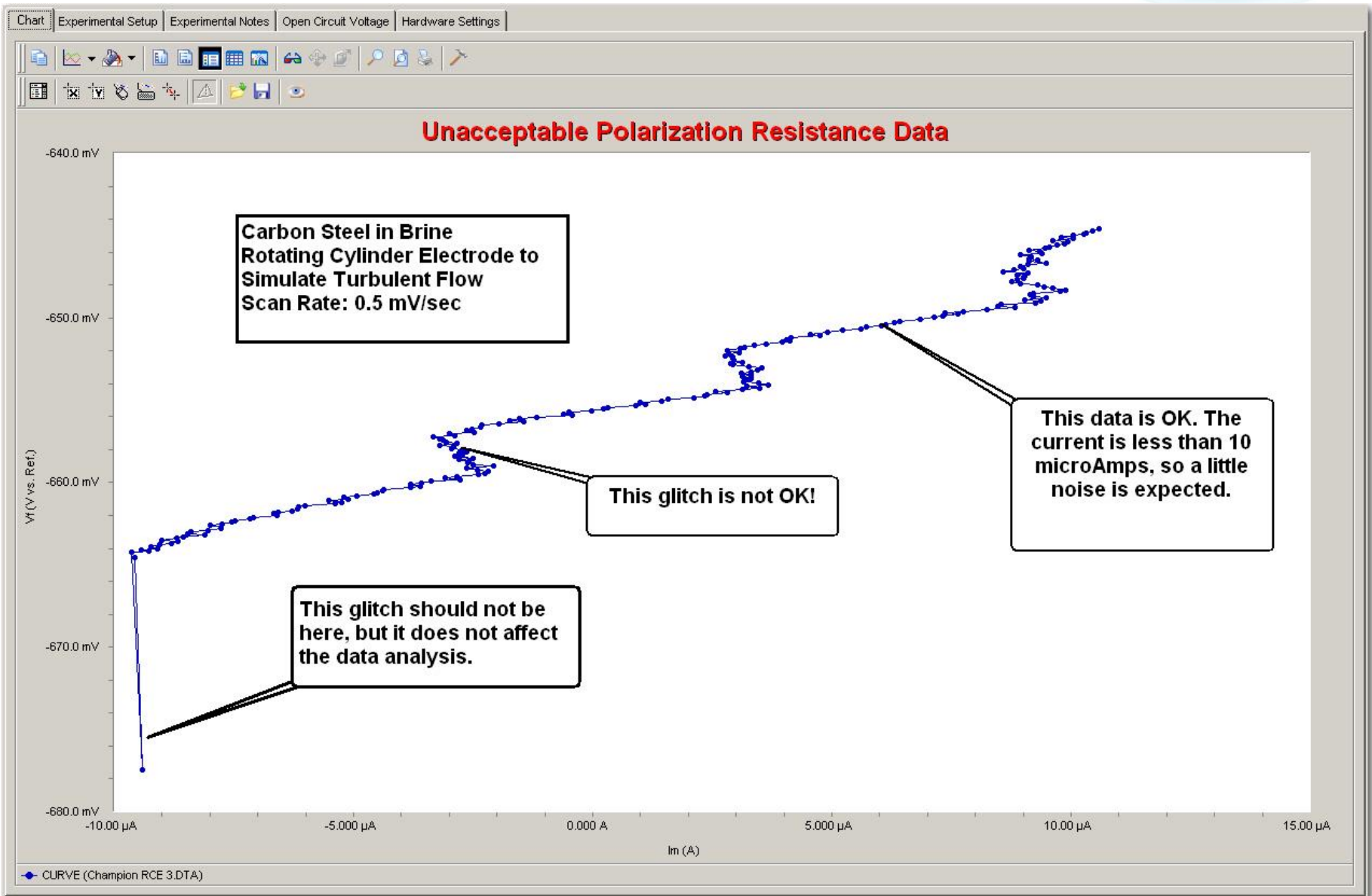
- Do you need to know how a Potentiostat works?
- **No.**
- Do you need to be able to recognize when something is wrong?
- **Yes!**
- **Why would something go wrong?**
- **Because the performance of the Potentiostat is affected by the electrical characteristics of the sample...or something in the cell is causing a problem...or the Potentiostat is busted!**

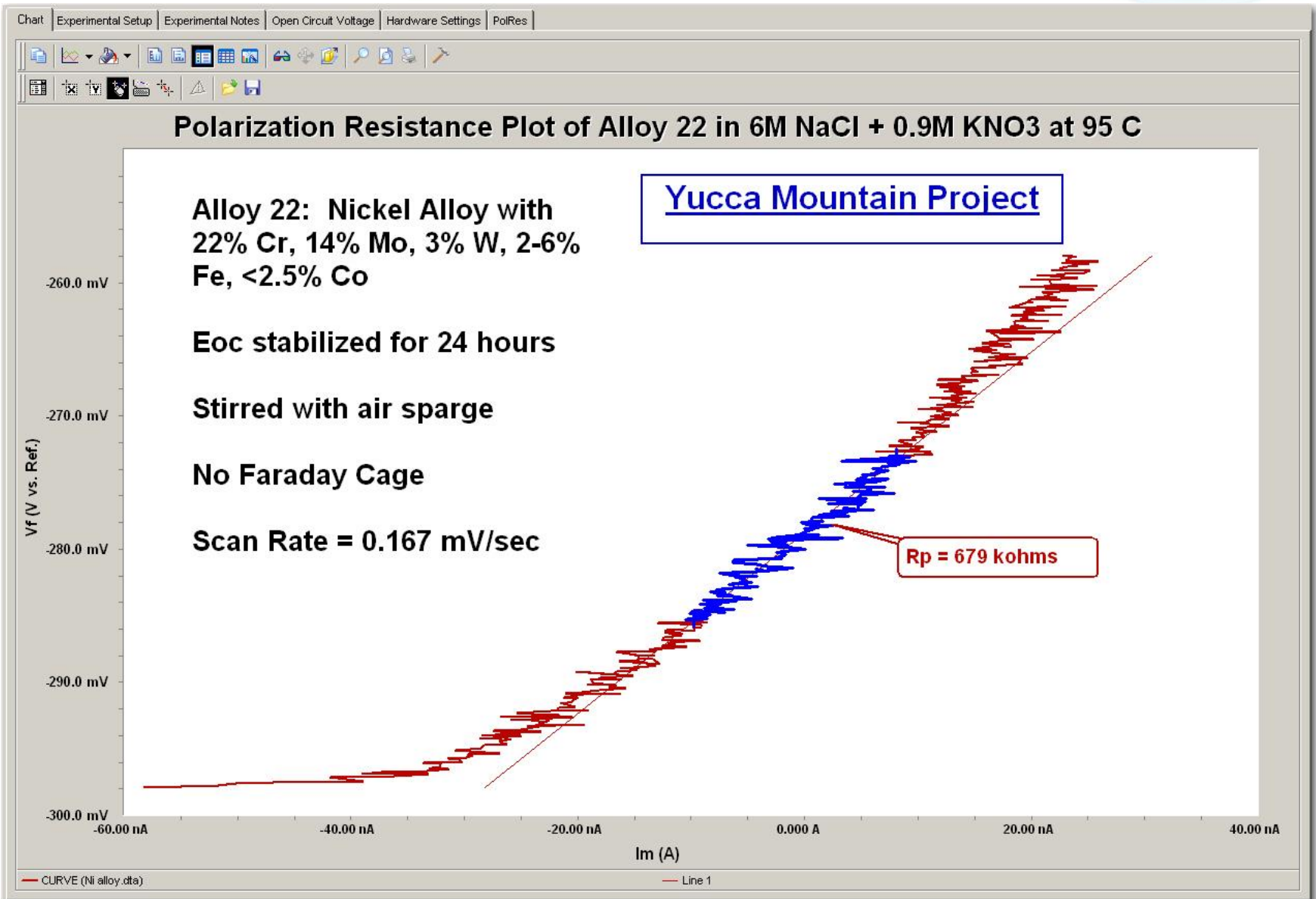
To Evaluate Your Electrochemical Data... Look At It!

- Electrochemical data is always a collection of individual data points...one followed smoothly by another.
- Noisy data is bad.
- Flat-lined data is bad.
- Overloads are bad.
- Good data looks good, but bad data can also look good.

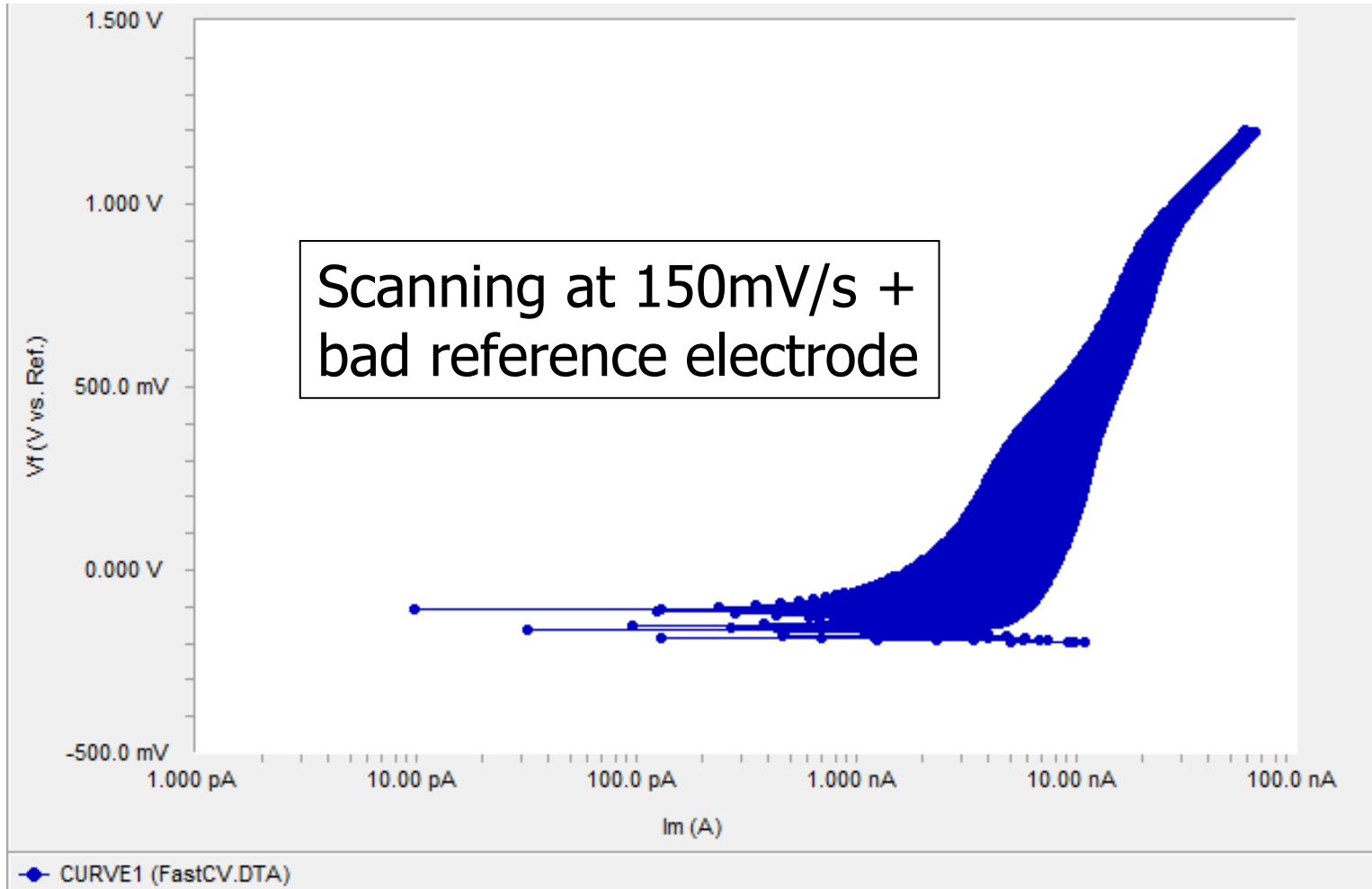








Bad Looking Bad Data



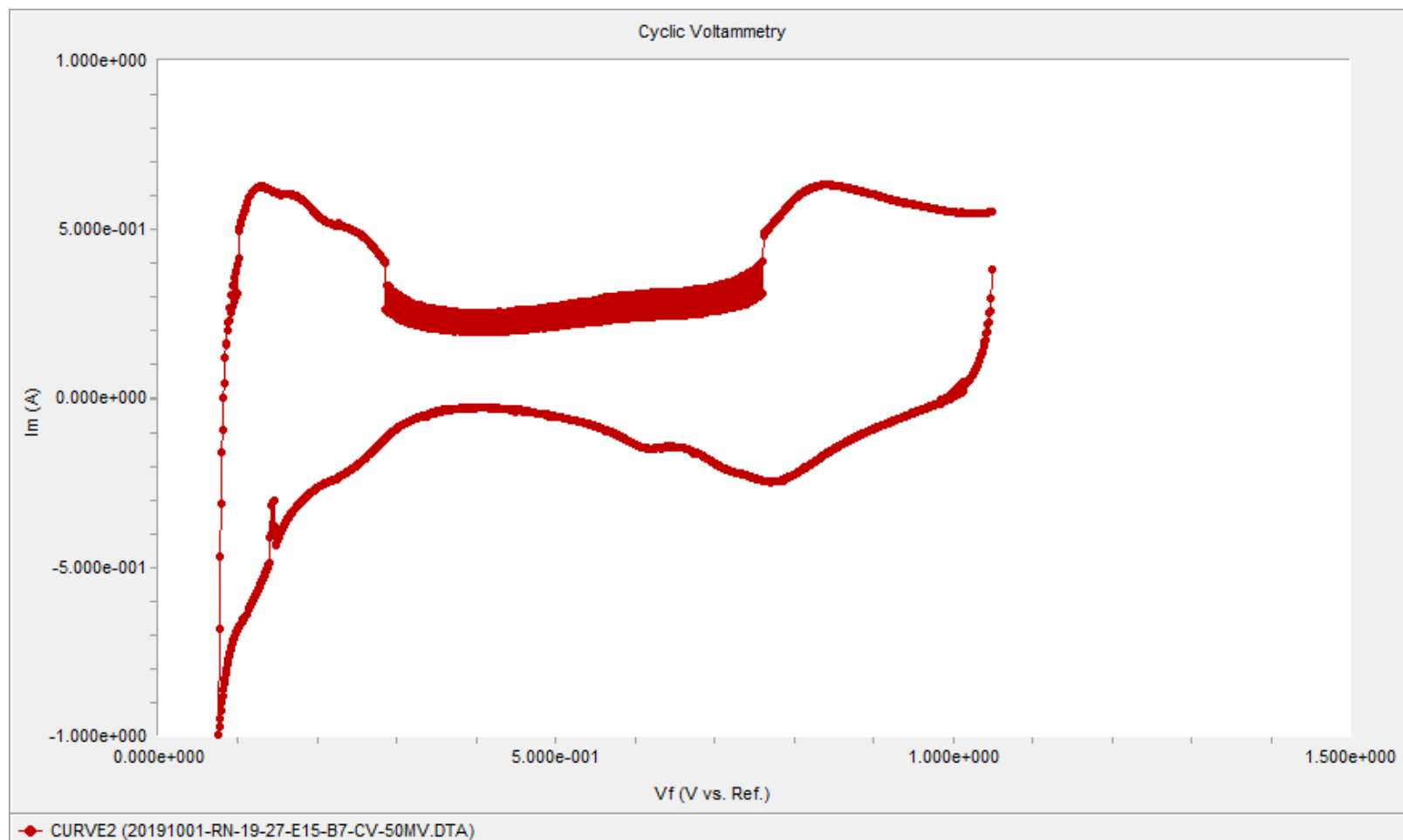
Potentiostat as a Feedback Device:
Another Water Analogy to Explain Oscillations

- Skin = Electrometer
- Hand = Control Amp
- Water is **too hot**
 - Turn the knob to **COLD**
 - 2 seconds later, you're **freezing** !
 - Turn the water to **HOT**
 - 2 seconds later, you're **scalded** !
 - Turn the knob to **COLD**
 - Repeat

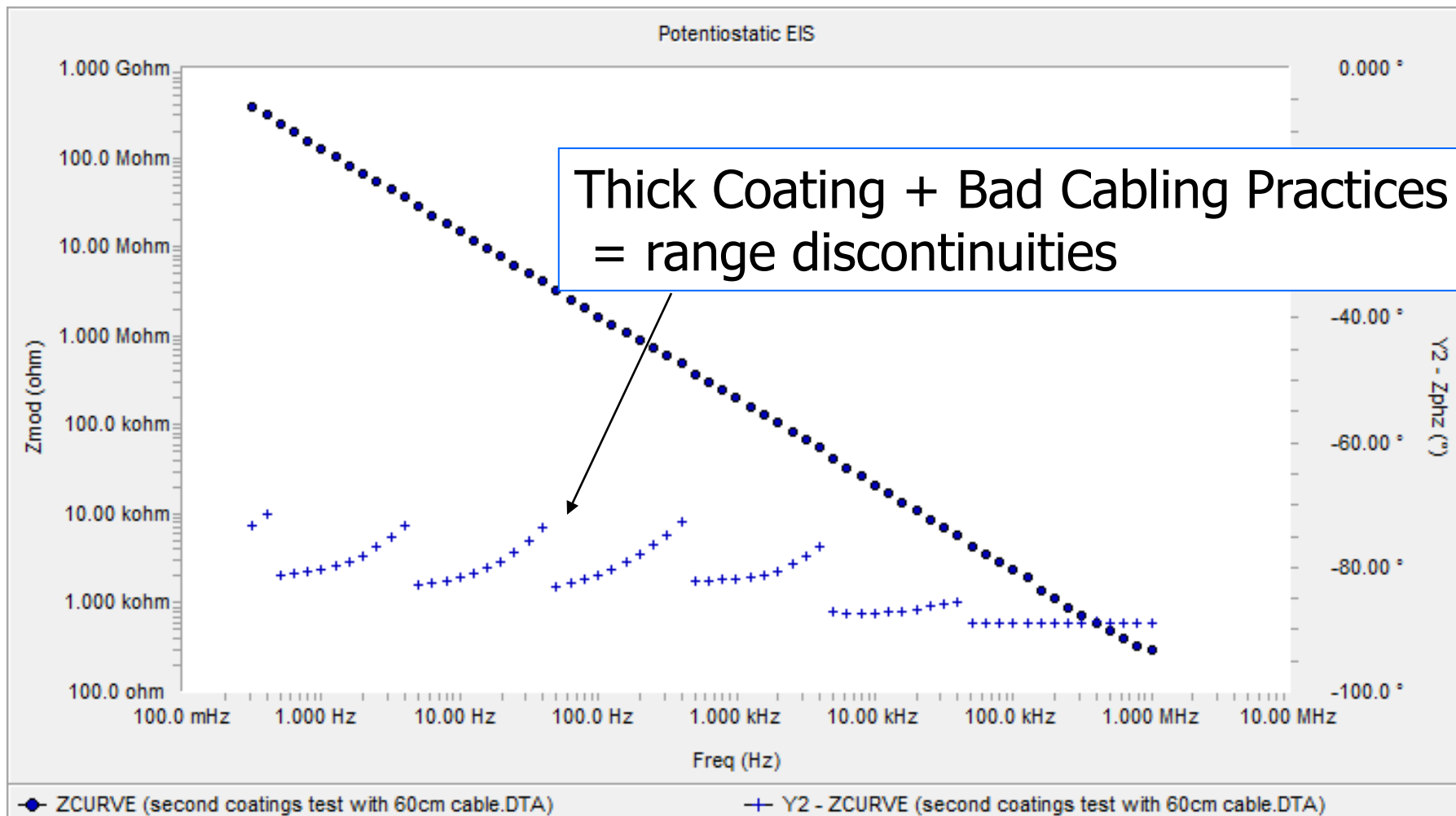


SOMEONE FLUSHED THE TOILET!
Start Over!

Oscillations due to I/E range changes



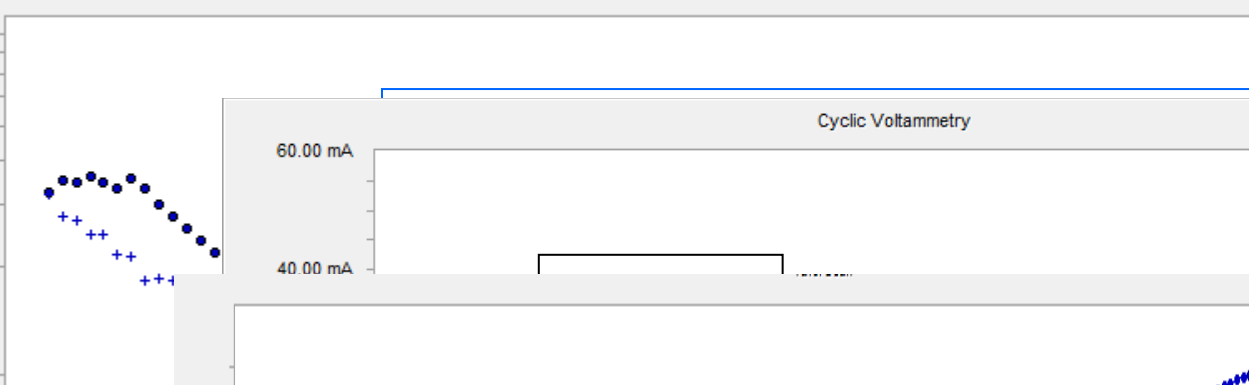
Instrument Artifacts



Potentiostatic EIS

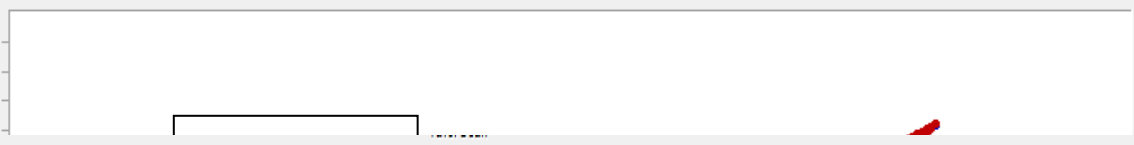
10.00 °

100.0 ohm
10.00 ohm



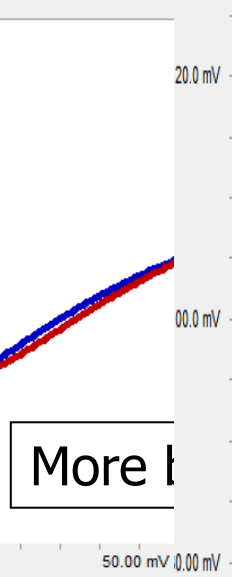
Cyclic Voltammetry

60.00 mA
40.00 mA



Vt (V vs. Ref.)

50.00 mA
0.000 A
-50.00 mA
-100.0 mA



20.0 mV
00.0 mV

Bumpy Tafel data?!?!

-10.00 mA 0.000 A 10.00 mA 20.00 mA

◆ CURVE1 (RCV_slow.DTA)

◆ CUR

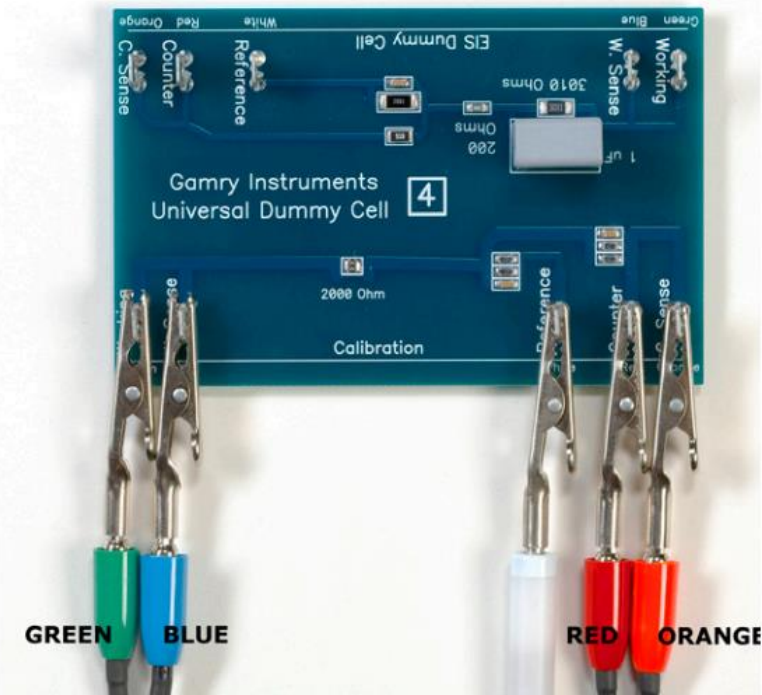
My Data Is Bad. Now What Do I Do?

Troubleshooting is the art of eliminating unknowns.

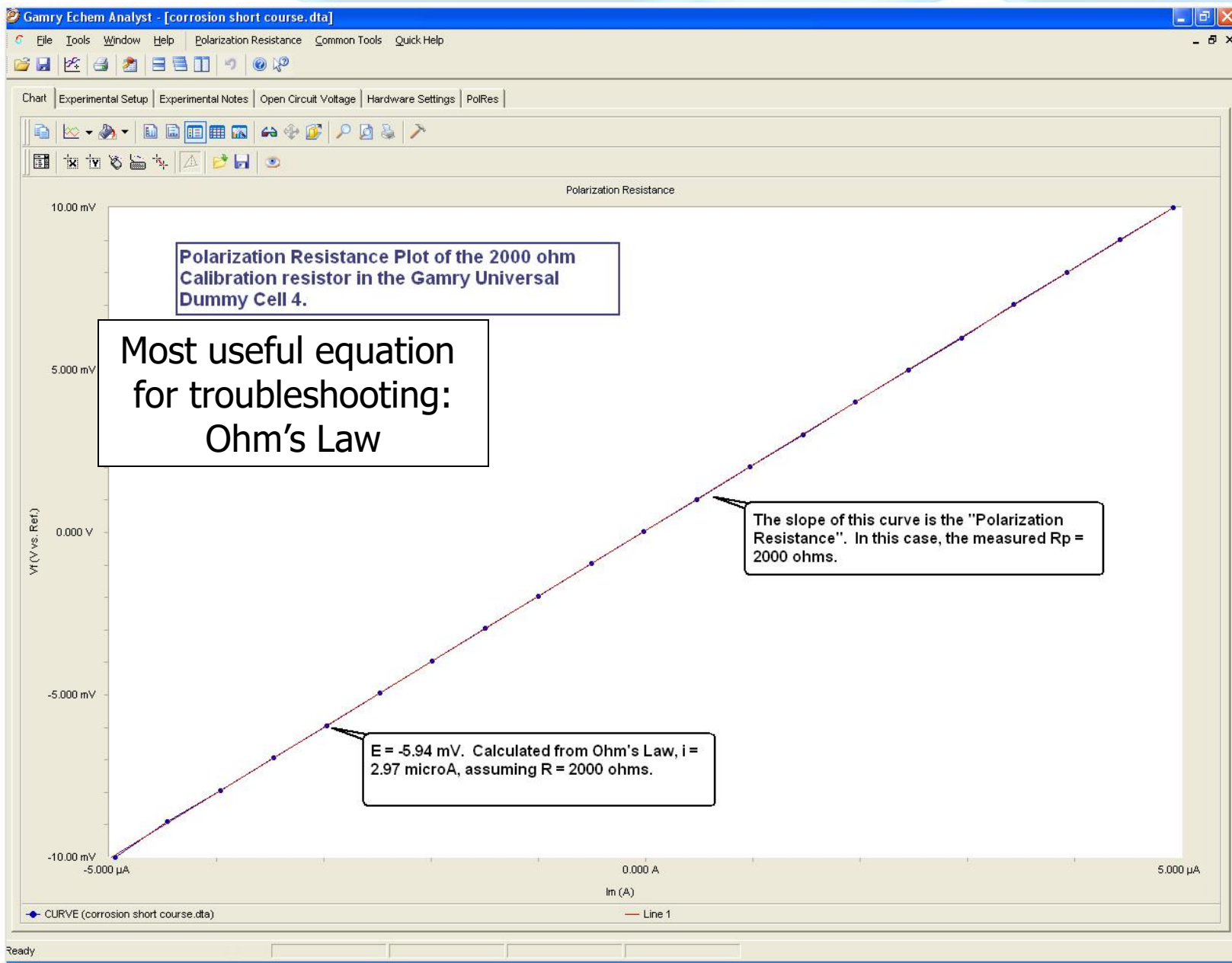
1. Calibrate the Potentiostat.
2. If calibration is successful, check the Potentiostat by running a dummy cell (a network of resistors/capacitors that give a known result).
3. If the instrument is OK, then check the cell. Check the Reference Electrode first!
4. If the cell is OK, then it's something in your sample chemistry, or you may need a Faraday Cage.
5. At some point, you should contact your Potentiostat supplier for technical support.

What does calibration do?

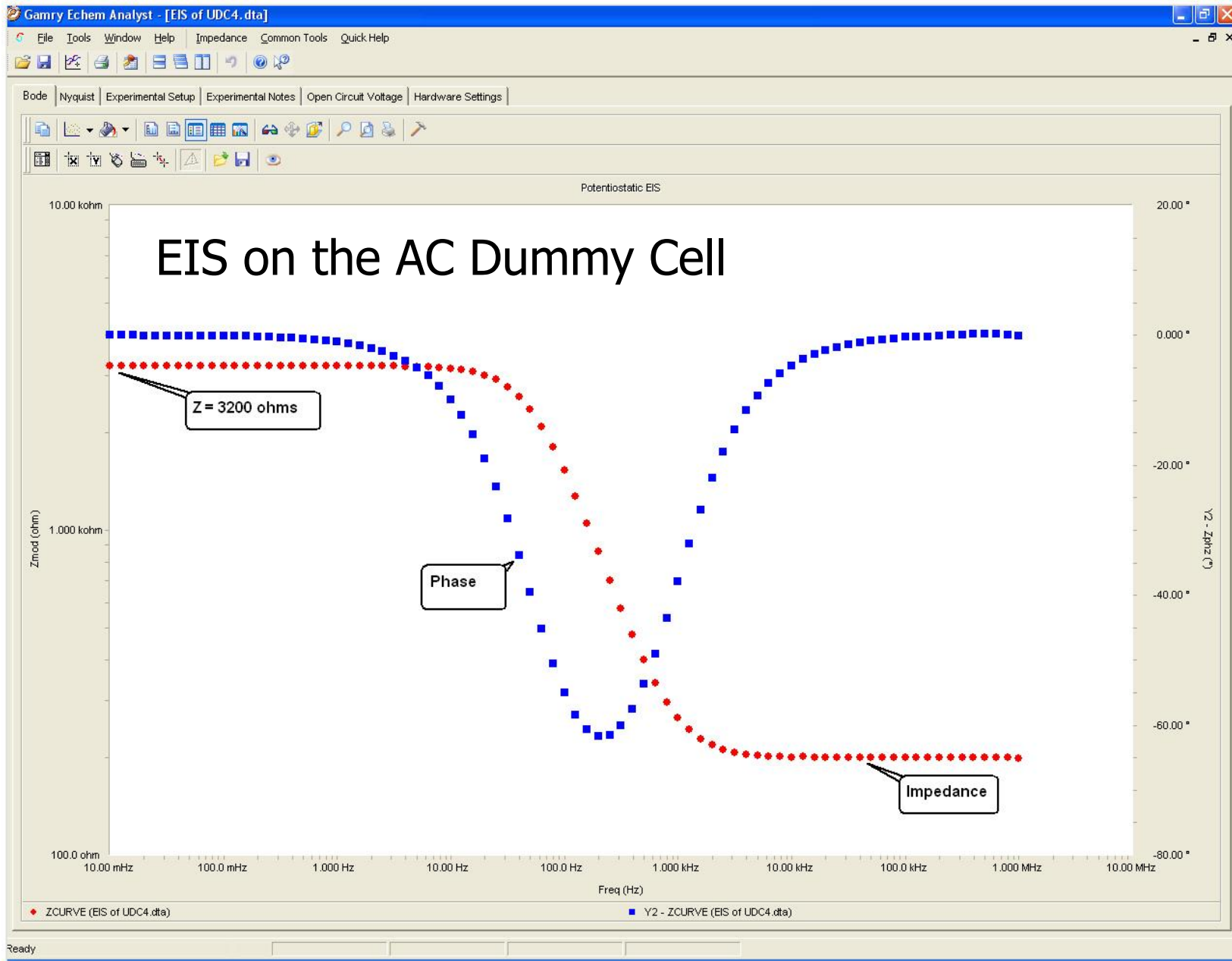
- Easiest way to rule out a potentiostat problem
- “Zeroes” all current measurement ranges to account for any offset
- Quickly checks continuity of cell cable by applying known voltage to dummy cell
- You may find non-critical errors



If Calibration is Successful, run tests on the dummy cell!



Pstat Check-Out: EIS on a Dummy Cell



Help! I get **OVERLOADS** during my experiments!

- The most common overloads are:
 - V Overload: overload of the Electrometer
 - Sense or Reference lead disconnected, bad reference electrode
 - Applying large current to highly resistive cell
 - I Overload: overload of the I/E Converter
 - Short between Working and Counter leads
 - Applying high potential to a low resistance sample
 - Exceeding the current limit of a particular current measurement range
 - CA Overload: overload of the Control Amplifier
 - Sense lead became disconnected or counter electrode is too small
 - Measurements in low conductivity solutions or counter electrode is far from working (Compliance Voltage exceeded)

Cable check

- Cables are a wear item and the second most common problem for potentiostats. Covered during calibration but this identifies what has failed.
- Run a cable integrity check – e.g. pin 1 to blue lead, pin 13 to green lead, pin 16 to white lead, pin 23 to red lead

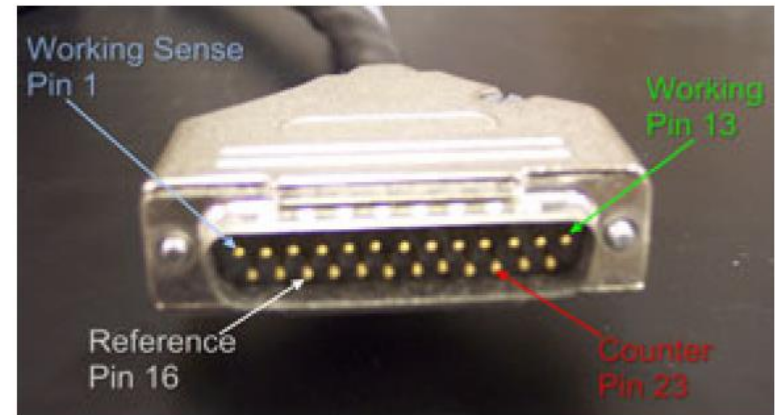


Figure 2. Pins in the Cell Cable for the Reference 600 Potentiostat.



Important Bits to Remember:

- Potentiostat performance is affected by the system it is measuring
- Reference Electrode is the most common source of experimental problems (try 2-electrode)
- Calibration provides a quick check of the hardware and the cell cable
- Effective troubleshooting will save you time and money (Gamry is here to help)

Where else can I get help?

- Interactive Troubleshooting Guide
 - <https://www.gamry.com/support/technical-support/troubleshooting/>
- General Technical Support
 - <https://www.gamry.com/support/technical-support/troubleshooting/>
- techsupport@gamry.com
- Phone - 1 877 367 4267



Installation & Setup

How to install your Gamry equipment.



Experimental Setup & Software Basics

Setting up your experiment and running software.



Frequently Asked Questions

Common questions that customers have about setup and use of our products.



Troubleshooting

Having a problem during your experiment? Start here for step-by-step troubleshooting instructions.



Advanced Topics

Special topics that go beyond basic setup and use of our products.



Gamry Framework

Framework is the basis for the Gamry Software. Learn how to use Framework.



White Papers

Updated versions of our top Application Notes. Download now in PDF format.



Electrochemical Techniques

Download the chart of electrochemical techniques matched to Gamry Interface & Reference Potentiostats.



Calculators

We have created several calculators to help in your electrochemical research.



Legacy Device Support

Information regarding PC3, PC4, PC14, FAS 1 & 2, Series G. - Gamry Legacy devices.

Next week - Understanding Specifications

- What do all of these specifications mean?
- What do they tell you about performance limitations?
- Which ones are important to me for my application?

POTENTIOSTAT/GALVANOSTAT/ZRA				
	Reference 3000/3000AE	Reference 600+	Interface 5000	Interface 1000
SYSTEM				
Cell Connections	2, 3, 4, 5 or 21*	2, 3, 4, or 5	2, 3, 4, or 5	2, 3, 4, or 5
Maximum Current	$\pm 3 \text{ A @ } 15 \text{ V}$ or $\pm 1.5 \text{ A @ } 32 \text{ V}$	$\pm 600 \text{ mA}$	$\pm 5 \text{ A}$	$\pm 1 \text{ A}$
Current Ranges	11 (300 pA - 3 A)	11 (60 pA - 600 mA)	6 (50 pA - 5 A)	9 (10 nA to 1 A)
Current Ranges (including internal gain)	13	13	8	11
Minimum Current Resolution	92 aA	20 aA	150 pA	3.3 fA
Maximum Applied Potential	$\pm 32 \text{ V}$	$\pm 11 \text{ V}$	$\pm 6 \text{ V}$	$\pm 12 \text{ V}$
Rise Time	< 250 ns	< 250 ns	< 1 μs	< 1 μs
Minimum Timebase	3.333 μs	3.333 μs	10 μs	10 μs
Noise and Ripple (typical)	< 2 $\mu\text{V rms}$	< 2 $\mu\text{V rms}$	< 20 $\mu\text{V rms}$	< 20 $\mu\text{V rms}$